

**Brushless DC motor drive circuit****TDA5144****FEATURES**

- Full-wave commutation (using push/pull drivers at the output stages) without position sensors
- Built-in start-up circuitry
- Three push-pull outputs:
  - output current 2.0 A (typ.)
  - low saturation voltage
  - built-in current limiter
  - soft-switching outputs for low Electromagnetic Interference (EMI)
- Thermal protection
- Flyback diodes
- Tacho output without extra sensor
- Transconductance amplifier for an external control transistor.

**APPLICATIONS**

- General purpose spindle driver (e.g. for hard disk)
- Laser beam printer.

**GENERAL DESCRIPTION**

The TDA5144 is a bipolar integrated circuit used to drive 3-phase brushless DC motors in full-wave mode. The device is sensorless (saving of 3 hall-sensors) using the back-EMF sensing technique to sense the rotor position. A special circuit is built-in to reduce the EMI (soft switching output stages). It is ideally suited as a drive circuit for hard disk drive spindle motor requiring powerful output stages (current limit of 2.0 A). It can also be used in e.g. laser beam printer and other applications.

**QUICK REFERENCE DATA**

Measured over full voltage and temperature range.

SYMBOL	PARAMETER	CONDITIONS	MIN.	TYP.	MAX.	UNIT
$V_P$	supply voltage	note 1	4	–	18	V
$V_{VMOT}$	input voltage to the output driver stages	note 2	1.7	–	16	V
$V_{DO}$	drop-out output voltage	$I_O = 100 \text{ mA}$	–	0.90	1.05	V
$I_{LIM}$	current limiting	$V_{VMOT} = 10 \text{ V}; R_O = 1.2 \Omega$	1.8	2.0	2.4	A

**Notes**

1. An unstabilized supply can be used.
2.  $V_{VMOT} = V_P$ ; +AMP IN = –AMP IN = 0 V; all outputs  $I_O = 0 \text{ mA}$ .

**ORDERING INFORMATION**

TYPE NUMBER	PACKAGE			
	PINS	PIN POSITION	MATERIAL	CODE
TDA5144AT	20	SOL	plastic	SOT163-1
TDA5144T	28	SOL	plastic	SOT136-1

Brushless DC motor drive circuit

TDA5144

BLOCK DIAGRAM

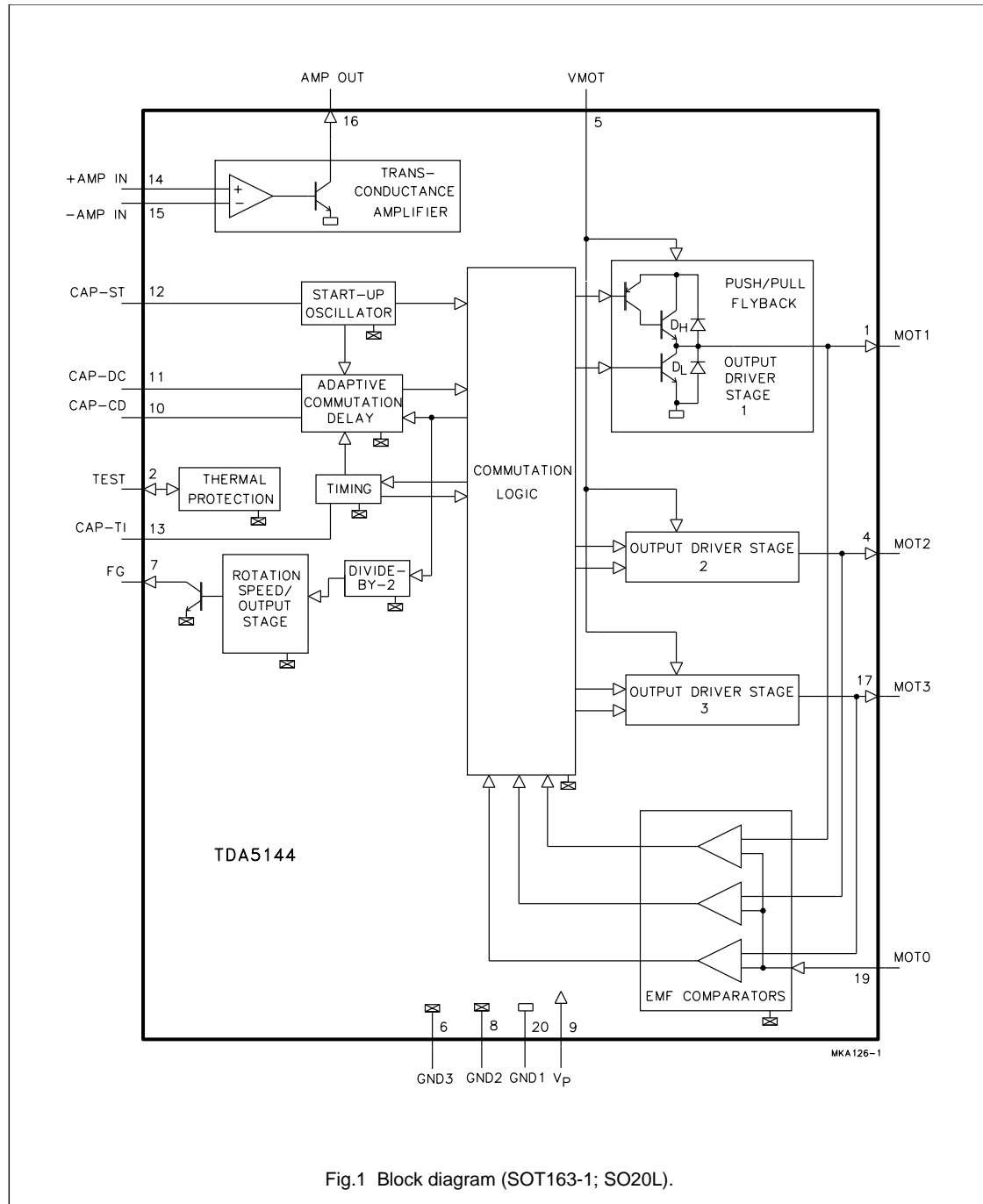


Fig.1 Block diagram (SOT163-1; SO20L).

## Brushless DC motor drive circuit

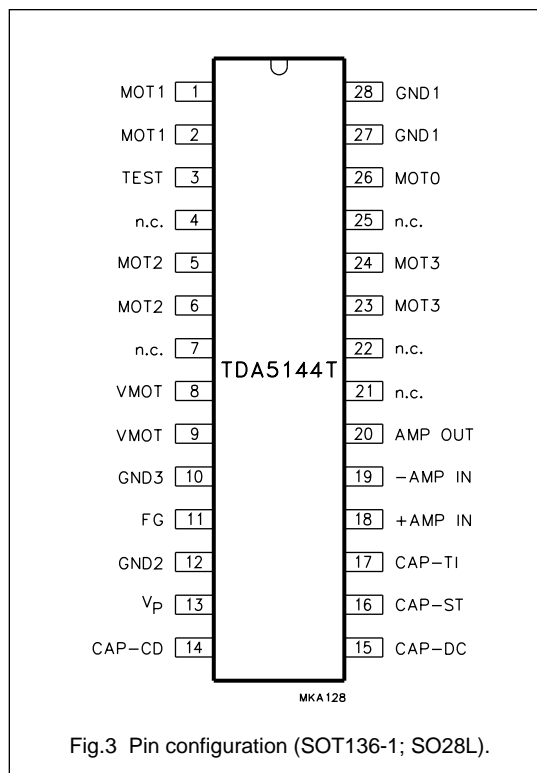
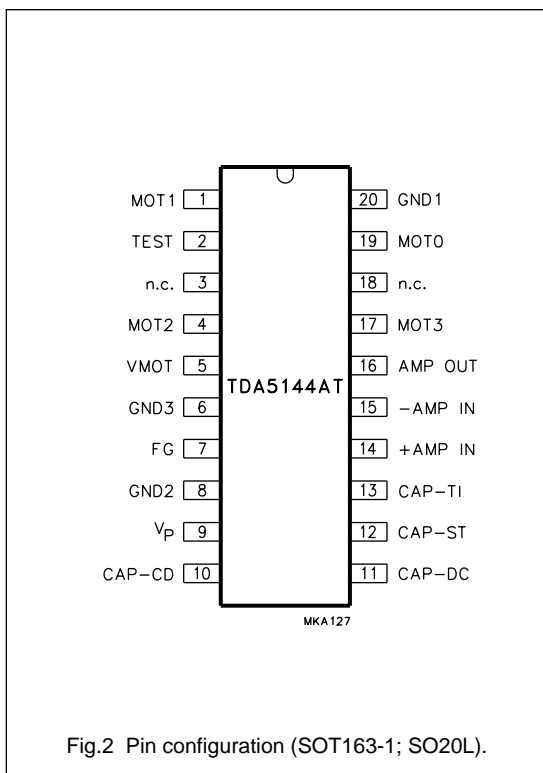
TDA5144

## PINNING

SYMBOL	PIN		DESCRIPTION
	SO20	SO28	
MOT1	1	1 and 2	driver output 1
TEST	2	3	test input/output
n.c.	3	4	not connected
MOT2	4	5 and 6	driver output 2
n.c.	–	7	not connected
VMOT	5	8 and 9	input voltage for the output driver stages
GND3	6	10	ground supply; must be connected
FG	7	11	frequency generator: output of the rotation speed (open collector digital output)
GND2	8	12	ground supply return for control circuits
V <sub>P</sub>	9	13	supply voltage
CAP-CD	10	14	external capacitor connection for adaptive communication delay timing
CAP-DC	11	15	external capacitor connection for adaptive communication delay timing copy
CAP-ST	12	16	external capacitor connection for start-up oscillator
CAP-TI	13	17	external capacitor connection for timing
+AMP IN	14	18	non-inverting input of the transconductance amplifier
–AMP IN	15	19	inverting input of the transconductance amplifier
AMP OUT	16	20	transconductance amplifier output (open collector)
n.c.	–	21 and 22	not connected
MOT3	17	23 and 24	driver output 3
n.c.	18	25	not connected
MOT0	19	26	input from the star point of the motor coils
GND1	20	27 and 28	ground (0 V) motor supply return for output stages

## Brushless DC motor drive circuit

## TDA5144

**FUNCTIONAL DESCRIPTION**

The TDA5144 offers a sensorless three phase motor drive function. It is unique in its combination of sensorless motor drive and full-wave drive. The TDA5144 offers protected outputs capable of handling high currents and can be used with star or delta connected motors. It can easily be adapted for different motors and applications. The TDA5144 offers the following features:

- Sensorless commutation by using the motor EMF.
- Built-in start-up circuit.
- Optimum commutation, independent of motor type or motor loading.
- Built-in flyback diodes.
- Three phase full-wave drive.
- High output current (2.0 A).
- Outputs protected by current limiting and thermal protection of each output transistor.
- Low current consumption by adaptive base-drive.
- Soft-switching pulse output for low radiation.
- Accurate frequency generator (FG) by using the motor EMF.
- Uncommitted operational transconductance amplifier (OTA), with a high output current, for use as a control amplifier.

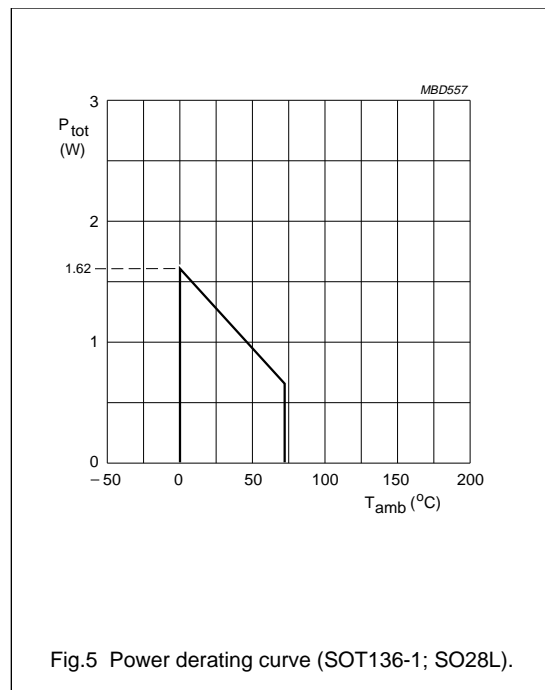
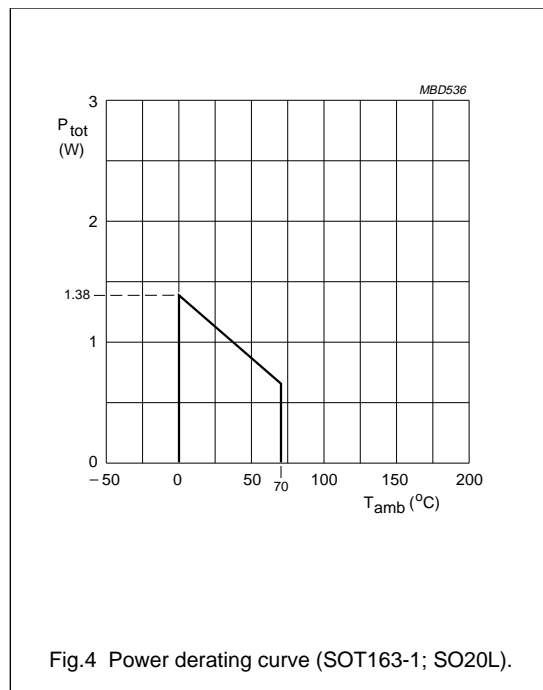
## Brushless DC motor drive circuit

TDA5144

**LIMITING VALUES**

In accordance with the Absolute Maximum Rating System (IEC 134).

SYMBOL	PARAMETER	CONDITIONS	MIN.	MAX.	UNIT
$V_P$	supply voltage		–	18	V
$V_I$	input voltage; all pins except VMOT	$V_I < 18$ V	–0.3	$V_P + 0.5$	V
$V_{VMOT}$	VMOT input voltage		–0.5	17	V
$V_O$	output voltage AMP OUT and FG MOT0, MOT1, MOT2 and MOT3		GND –1	$V_P$ $V_{VMOT} + V_{DHF}$	V V
$V_I$	input voltage CAP-ST, CAP-TI, CAP-CD and CAP-DC		–	2.5	V
$T_{stg}$	storage temperature		–55	+150	°C
$T_{amb}$	operating ambient temperature		0	+70	°C
$P_{tot}$	total power dissipation	see Figs 4 and 5	–	–	W
$V_{es}$	electrostatic handling	see Chapter "Handling"	–	500	V

**HANDLING**

Every pin withstands the ESD test according to "MIL-STD-883C class 2". Method 3015 (HBM 1 500  $\Omega$ , 100 pF) 3 pulses + and 3 pulses – on each pin referenced to ground.

## Brushless DC motor drive circuit

TDA5144

**CHARACTERISTICS** $V_P = 14.5\text{ V}$ ;  $T_{\text{amb}} = 25\text{ }^\circ\text{C}$ ; unless otherwise specified.

SYMBOL	PARAMETER	CONDITIONS	MIN.	TYP.	MAX.	UNIT
<b>Supply</b>						
$V_P$	supply voltage	note 1	4	–	18	V
$I_P$	supply current	note 2	–	6.3	7.2	mA
$V_{VMOT}$	input voltage to the output driver stages	see Fig.1	1.7	–	16	V
<b>Thermal protection</b>						
$T_{SD}$	local temperature at temperature sensor causing shut-down		130	140	150	$^\circ\text{C}$
$\Delta T$	reduction in temperature before switch-on	after shut-down	–	$T_{SD} - 30$	–	K
<b>MOT0; centre tap</b>						
$V_I$	input voltage		–0.5	–	$V_{VMOT}$	V
$I_I$	input bias current	$0.5\text{ V} < V_I < V_{VMOT} - 1.5\text{ V}$	–10	–	0	$\mu\text{A}$
$V_{CSW}$	comparator switching level	note 3	$\pm 20$	$\pm 25$	$\pm 30$	mV
$\Delta V_{CSW}$	variation in comparator switching levels		–3	0	+3	mV
$V_{hys}$	comparator input hysteresis		–	75	–	$\mu\text{V}$
<b>MOT1, MOT2 and MOT3</b>						
$V_{DO}$	drop-out output voltage	$I_O = 100\text{ mA}$	–	0.9	1.05	V
		$I_O = 1000\text{ mA}$	–	1.6	1.85	V
$\Delta V_{OL}$	variation in saturation voltage between lower transistors	$I_O = 100\text{ mA}$	–	–	180	mV
$\Delta V_{OH}$	variation in saturation voltage between upper transistors	$I_O = -100\text{ mA}$	–	–	180	mV
$I_{LIM}$	current limiting	$V_{VMOT} = 10\text{ V}$ ; $R_O = 1.2\ \Omega$	1.8	2.0	2.5	A
$t_r$	rise time switching output	$V_{VMOT} = 15\text{ V}$ ; see Fig.6	5	10	15	$\mu\text{s}$
$t_f$	fall time switching output	$V_{VMOT} = 15\text{ V}$ ; see Fig.6	10	15	20	$\mu\text{s}$
$V_{DHF}$	diode forward voltage (diode $D_H$ )	$I_O = -500\text{ mA}$ ; notes 4 and 5; see Fig.1	–	–	1.5	V
$V_{DLF}$	diode forward voltage (diode $D_L$ )	$I_O = 500\text{ mA}$ ; notes 4 and 5; see Fig.1	–1.5	–	–	V
$I_{DM}$	peak diode current	note 5	–	–	2.5	A
<b>+AMP IN and –AMP IN</b>						
$V_I$	input voltage		–0.3	–	$V_P - 1.7$	V
	differential mode voltage without 'latch-up'		–	–	$\pm V_P$	V
$I_b$	input bias current		–	–	650	nA
$C_I$	input capacitance		–	4	–	pF
$V_{offset}$	input offset voltage		–	–	10	mV

## Brushless DC motor drive circuit

## TDA5144

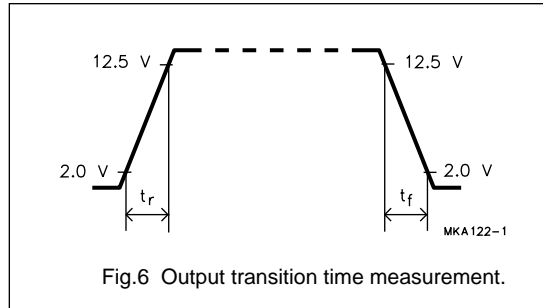
SYMBOL	PARAMETER	CONDITIONS	MIN.	TYP.	MAX.	UNIT
<b>AMP OUT (open collector)</b>						
$I_{\text{sink}}$	output sink current		40	–	–	mA
$V_{\text{sat}}$	saturation voltage	$I_{\text{I}} = 40 \text{ mA}$	–	1.5	2.1	V
$V_{\text{O}}$	output voltage		–0.5	–	+18	V
SR	slew rate	$R_{\text{L}} = 330 \Omega$ ; $C_{\text{L}} = 50 \text{ pF}$	–	60	–	mA/ $\mu\text{s}$
$G_{\text{tr}}$	transfer gain		0.3	–	–	S
<b>FG (open collector)</b>						
$V_{\text{OL}}$	LOW level output voltage	$I_{\text{O}} = 1.6 \text{ mA}$	–	–	0.4	V
$V_{\text{OH(max)}}$	maximum HIGH level output voltage		$V_{\text{P}}$	–	–	V
$t_{\text{THL}}$	HIGH-to-LOW transition time	$C_{\text{L}} = 50 \text{ pF}$ ; $R_{\text{L}} = 10 \text{ k}\Omega$	–	0.5	–	$\mu\text{s}$
	ratio of FG frequency and commutation frequency		–	1 : 2	–	
$\delta$	duty factor		–	50	–	%
<b>CAP-ST</b>						
$I_{\text{sink}}$	output sink current		1.5	2.0	2.5	$\mu\text{A}$
$I_{\text{source}}$	output source current		–2.5	–2.0	–1.5	$\mu\text{A}$
$V_{\text{SWL}}$	LOW level switching voltage		–	0.20	–	V
$V_{\text{SWH}}$	HIGH level switching voltage		–	2.20	–	V
<b>CAP-TI</b>						
$I_{\text{sink}}$	output sink current		–	28	–	$\mu\text{A}$
$I_{\text{source}}$	output source current	$0.2 \text{ V} < V_{\text{CAP-TI}} < 0.3 \text{ V}$	–	–57	–	$\mu\text{A}$
		$0.3 \text{ V} < V_{\text{CAP-TI}} < 2.2 \text{ V}$	–	–5	–	$\mu\text{A}$
$V_{\text{SWL}}$	LOW level switching voltage		–	50	–	mV
$V_{\text{SWM}}$	MIDDLE level switching voltage		–	0.30	–	V
$V_{\text{SWH}}$	HIGH level switching voltage		–	2.20	–	V
<b>CAP-CD</b>						
$I_{\text{sink}}$	output sink current		10.6	16.2	22	$\mu\text{A}$
$I_{\text{source}}$	output source current		–5.3	–8.1	–11	$\mu\text{A}$
$I_{\text{sink}}/I_{\text{source}}$	ratio of sink to source current		1.85	2.05	2.25	
$V_{\text{IL}}$	LOW level input voltage		800	875	900	mV
$V_{\text{IH}}$	HIGH level input voltage		2.3	2.4	2.55	V
<b>CAP-DC</b>						
$I_{\text{sink}}$	output sink current		10.1	15.5	20.9	$\mu\text{A}$
$I_{\text{source}}$	output source current		–20.9	–15.5	–10.1	$\mu\text{A}$
$I_{\text{sink}}/I_{\text{source}}$	ratio of sink to source current		0.9	1.025	1.15	
$V_{\text{IL}}$	LOW level input voltage		800	875	900	mV
$V_{\text{IH}}$	HIGH level input voltage		2.3	2.4	2.55	V

# Brushless DC motor drive circuit

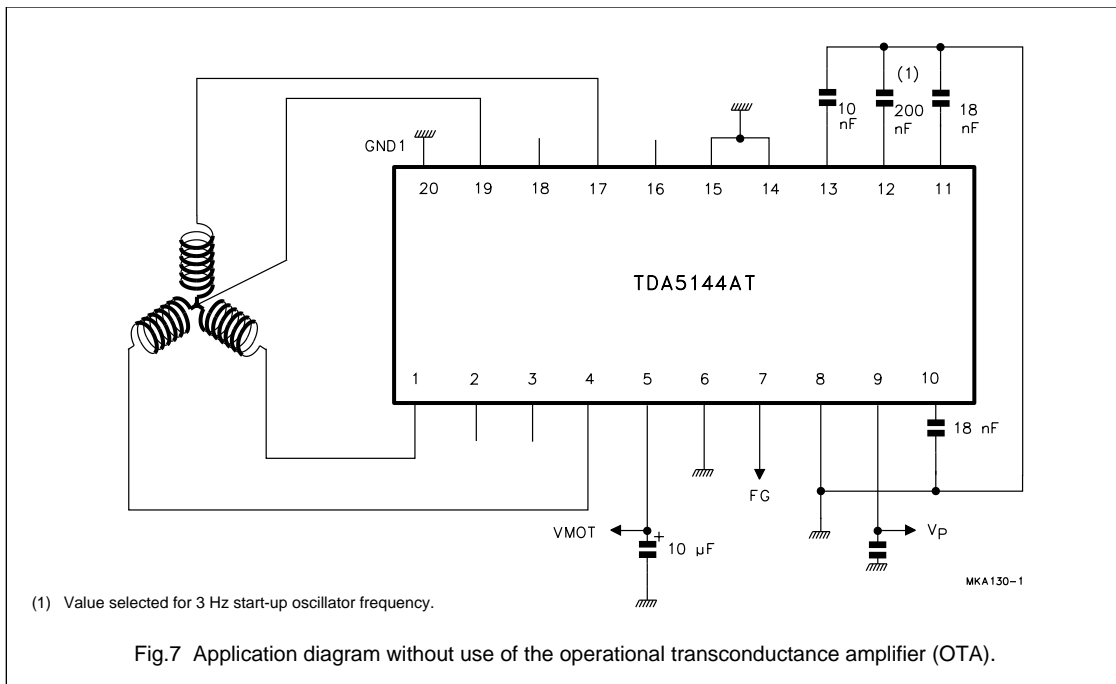
# TDA5144

### Notes to the characteristics

1. An unstabilized supply can be used.
2.  $V_{VMOT} = V_P$ , all other inputs at 0 V; all outputs at  $V_P$ ;  $I_O = 0$  mA.
3. Switching levels with respect to MOT1, MOT2 and MOT3.
4. Drivers are in the high-impedance OFF-state.
5. The outputs are short-circuit protected by limiting the current and the IC temperature.



### APPLICATION INFORMATION





## Brushless DC motor drive circuit

## TDA5144

**Introduction (see Fig.8)**

Full-wave driving of a three phase motor requires three push-pull output stages. In each of the six possible states two outputs are active, one sourcing (H) and one sinking (L). The third output presents a high impedance (Z) to the motor, which enables measurement of the motor back-EMF in the corresponding motor coil by the EMF comparator at each output. The commutation logic is responsible for control of the output transistors and selection of the correct EMF comparator. In Table 1 the sequence of the six possible states of the outputs has been depicted.

**Table 1** Output states.

STATE	MOT1 <sup>(1)</sup>	MOT2 <sup>(1)</sup>	MOT3 <sup>(1)</sup>
1	Z	L	H
2	H	L	Z
3	H	Z	L
4	Z	H	L
5	L	H	Z
6	L	Z	H

**Note**

1. H = HIGH state;  
L = LOW state;  
Z = high-impedance OFF-state.

The zero-crossing in the motor EMF (detected by the comparator selected by the commutation logic) is used to calculate the correct moment for the next commutation, that is, the change to the next output state. The delay is calculated (depending on the motor loading) by the adaptive commutation delay block.

Because of high inductive loading the output stages contain flyback diodes. The output stages are also protected by a current limiting circuit and by thermal protection of the six output transistors.

The detected zero-crossings are used to provide speed information. The information has been made available on the FG output pin. This is an open collector output and provides an output signal with a frequency that is half the commutation frequency.

The system will only function when the EMF voltage from the motor is present. Therefore, a start oscillator is provided that will generate commutation pulses when no zero-crossings in the motor voltage are available.

A timing function is incorporated into the device for internal timing and for timing of the reverse rotation detection.

The TDA5144 also contains an uncommitted transconductance amplifier (OTA) that can be used as a control amplifier. The output is capable of directly driving an external power transistor.

The TDA5144 is designed for systems with low current consumption: use of I<sup>2</sup>L logic, adaptive base drive for the output transistors (patented).

**Adjustments**

The system has been designed in such a way that the tolerances of the application components are not critical. However, the approximate values of the following components must still be determined:

- The start capacitor; this determines the frequency of the start oscillator.
- The two capacitors in the adaptive commutation delay circuit; these are important in determining the optimum moment for commutation, depending on the type and loading of the motor.
- The timing capacitor; this provides the system with its timing signals.

**THE START CAPACITOR (CAP-ST)**

This capacitor determines the frequency of the start oscillator. It is charged and discharged, with a current of 2  $\mu$ A, from 0.05 to 2.2 V and back to 0.05 V. The time taken to complete one cycle is given by:  
 $t_{\text{start}} = (2.15 \times C) \text{ s}$  (with C in  $\mu$ F)

The start oscillator is reset by a commutation pulse and so is only active when the system is in the start-up mode. A pulse from the start oscillator will cause the outputs to change to the next state (torque in the motor). If the movement of the motor generates enough EMF the TDA5144 will run the motor. If the amount of EMF generated is insufficient, then the motor will move one step only and will oscillate in its new position. The amplitude of the oscillation must decrease sufficiently before the arrival of the next start pulse, to prevent the pulse arriving during the wrong phase of the oscillation.

## Brushless DC motor drive circuit

TDA5144

The oscillation of the motor is given by:

$$f_{osc} = \frac{1}{2\pi \sqrt{\frac{K_t \times I \times p}{J}}}$$

where:

$K_t$  = torque constant (N.m/A)

$I$  = current (A)

$p$  = number of magnetic pole-pairs

$J$  = inertia J (kg.m<sup>2</sup>)

Example:  $J = 72 \times 10^{-6}$  kg.m<sup>2</sup>,  $K = 25 \times 10^{-3}$  N.m/A,  $p = 6$  and  $I = 0.5$  A; this gives  $f_{osc} = 5$  Hz. If the damping is high then a start frequency of 2 Hz can be chosen or  $t = 500$  ms, thus  $C = 0.5/2 = 0.25$   $\mu$ F (choose 220 nF).

#### THE ADAPTIVE COMMUTATION DELAY (CAP-CD AND CAP-DC)

In this circuit capacitor CAP-CD is charged during one commutation period, with an interruption of the charging current during the diode pulse. During the next commutation period this capacitor (CAP-CD) is discharged at twice the charging current. The charging current is 8.1  $\mu$ A and the discharging current 16.2  $\mu$ A; the voltage range is from 0.9 to 2.2 V. The voltage must stay within this range at the lowest commutation frequency of interest,  $f_{C1}$ :

$$C = \frac{8.1 \times 10^{-6}}{f \times 1.3} = \frac{6231}{f_{C1}} \quad (C \text{ in nF})$$

If the frequency is lower, then a constant commutation delay after the zero-crossing is generated by the discharge from 2.2 to 0.9 V at 16.2  $\mu$ A; maximum delay = (0.076  $\times$  C) ms (with C in nF).

Example: nominal commutation frequency = 900 Hz and the lowest usable frequency = 400 Hz; so:

$$\text{CAP-CD} = \frac{6231}{400} = 15.6 \quad (\text{choose } 18 \text{ nF})$$

The other capacitor, CAP-DC, is used to repeat the same delay by charging and discharging with 15.5  $\mu$ A. The same value can be chosen as for CAP-CD. Figure 9 illustrates typical voltage waveforms.

Brushless DC motor drive circuit

TDA5144

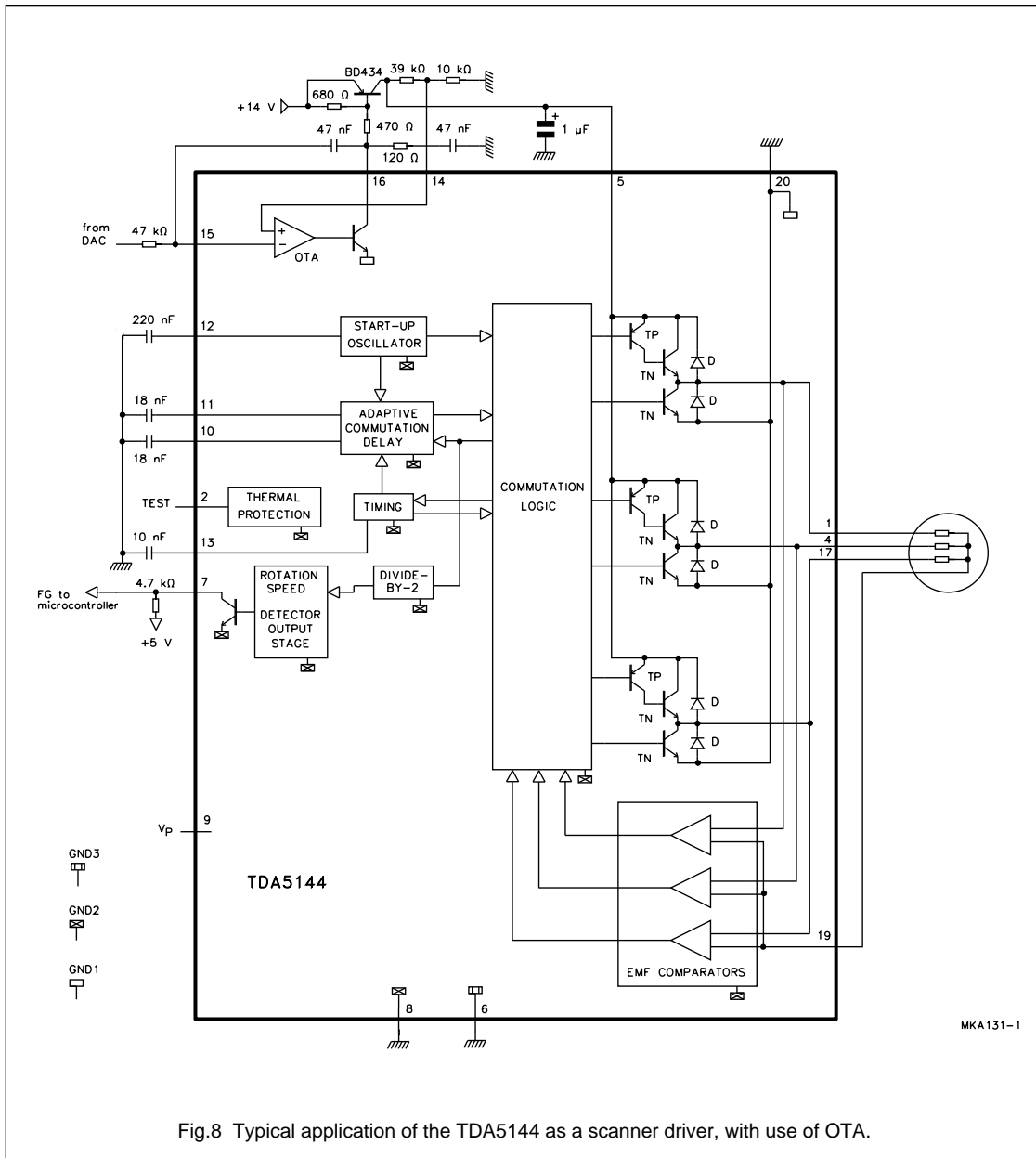
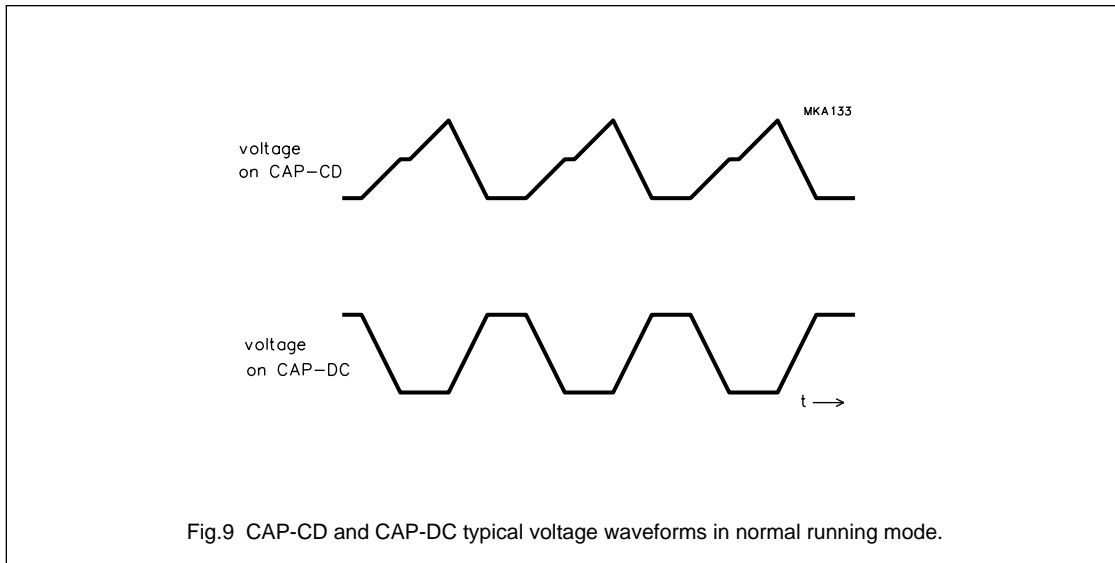


Fig.8 Typical application of the TDA5144 as a scanner driver, with use of OTA.

## Brushless DC motor drive circuit

TDA5144



## THE TIMING CAPACITOR (CAP-TI)

Capacitor CAP-TI is used for timing the successive steps within one commutation period; these steps include some internal delays.

The most important function is the watchdog time in which the motor EMF has to recover from a negative diode-pulse back to a positive EMF voltage (or vice versa). A watchdog timer is a guarding function that only becomes active when the expected event does not occur within a predetermined time.

The EMF usually recovers within a short time if the motor is running normally ( $\ll$ ms). However, if the motor is motionless or rotating in the reverse direction, then the time can be longer ( $\gg$ ms).

A watchdog time must be chosen so that it is long enough for a motor without EMF (still) and eddy currents that may stretch the voltage in a motor winding; however, it must be short enough to detect reverse rotation. If the watchdog time is made too long, then the motor may run in the wrong direction (with little torque).

The capacitor is charged, with a current of  $57 \mu\text{A}$ , from 0.2 to 0.3 V. Above this level it is charged, with a current of  $5 \mu\text{A}$ , up to 2.2 V only if the selected motor EMF remains in the wrong polarity (watchdog function). At the end, or, if the motor voltage becomes positive, the capacitor is discharged with a current of  $28 \mu\text{A}$ . The watchdog time is the time taken to charge the capacitor, with a current of  $5 \mu\text{A}$ , from 0.3 to 2.2 V.

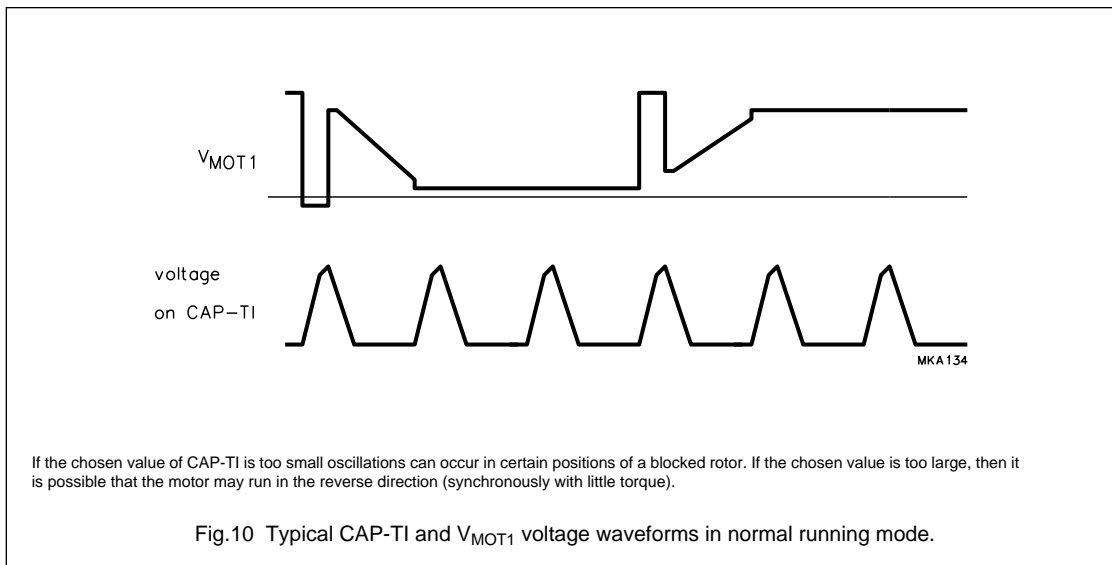
To ensure that the internal delays are covered CAP-TI must have a minimum value of 2 nF. For the watchdog function a value for CAP-TI of 10 nF is recommended.

To ensure a good start-up and commutation, care must be taken that no oscillations occur at the trailing edge of the flyback pulse. Snubber networks at the outputs should be critically damped.

Typical voltage waveforms are illustrated by Fig.10.

## Brushless DC motor drive circuit

TDA5144

**Other design aspects**

There are other design aspects concerning the application of the TDA5144 besides the commutation function. They are:

- Generation of the tacho signal FG
- General purpose operational transconductance amplifier (OTA)
- Possibilities of motor control
- Reliability.

**FG SIGNAL**

The FG signal is generated in the TDA5144 by using the zero-crossing of the motor EMF from the three motor windings. Every zero-crossing in a (star connected) motor winding is used to toggle the FG output signal. The FG frequency is therefore half the commutation frequency. All transitions indicate the detection of a zero-crossing.

The accuracy of the FG output signal depends on the symmetry of the motor's electromagnetic construction, which also effects the satisfactory functioning of the motor itself.

Example: a 3-phase motor with 6 magnetic pole-pairs at 1500 rpm and with a full-wave drive has a commutation frequency of  $25 \times 6 \times 6 = 900$  Hz, and generates a tacho signal of 450 Hz.

**THE OPERATIONAL TRANSCONDUCTANCE AMPLIFIER (OTA)**

The OTA is an uncommitted amplifier with a high output current (40 mA) that can be used as a control amplifier. The common mode input range includes ground (GND) and rises to  $V_P - 1.7$  V. The high sink current enables the OTA to drive a power transistor directly in an analog control amplifier.

Although the gain is not extremely high (0.3 S), care must be taken with the stability of the circuit if the OTA is used as a linear amplifier as no frequency compensation has been provided.

The convention for the inputs (inverting or not) is the same as for a normal operational amplifier: with a resistor (as load) connected from the output (AMP OUT) to the positive supply, a positive-going voltage is found when the non-inverting input (+AMP IN) is positive with respect to the inverting input (-AMP IN). Confusion is possible because a 'plus' input causes less current, and so a positive voltage.

---

## Brushless DC motor drive circuit

## TDA5144

---

### MOTOR CONTROL

DC motors can be controlled in an analog manner using the OTA.

For the analog control an external transistor is required. The OTA can supply the base current for this transistor and act as a control amplifier (see Fig.8).

### RELIABILITY

It is necessary to protect high current circuits and the output stages are protected in two ways:

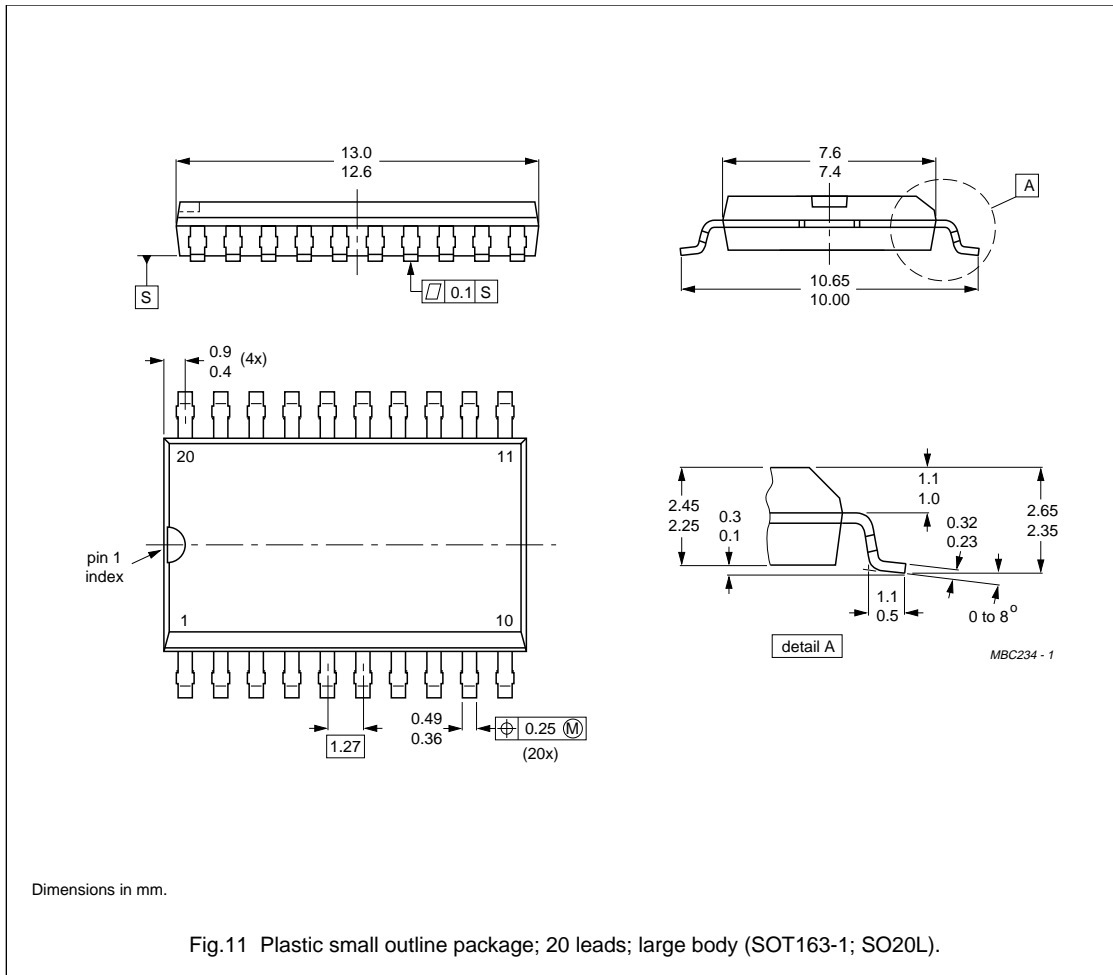
- Current limiting of the 'lower' output transistors. The 'upper' output transistors use the same base current as the conducting 'lower' transistor (+15%). This means that the current to and from the output stages is limited.
- Thermal protection of the six output transistors is achieved by each transistor having a thermal sensor that is active when the transistor is switched on. The transistors are switched off when the local temperature becomes too high.

It is possible, that when braking, the motor voltage (via the flyback diodes and the impedance on VMOT) may cause higher currents than allowed ( $>0.6$  A). These currents must be limited externally.

Brushless DC motor drive circuit

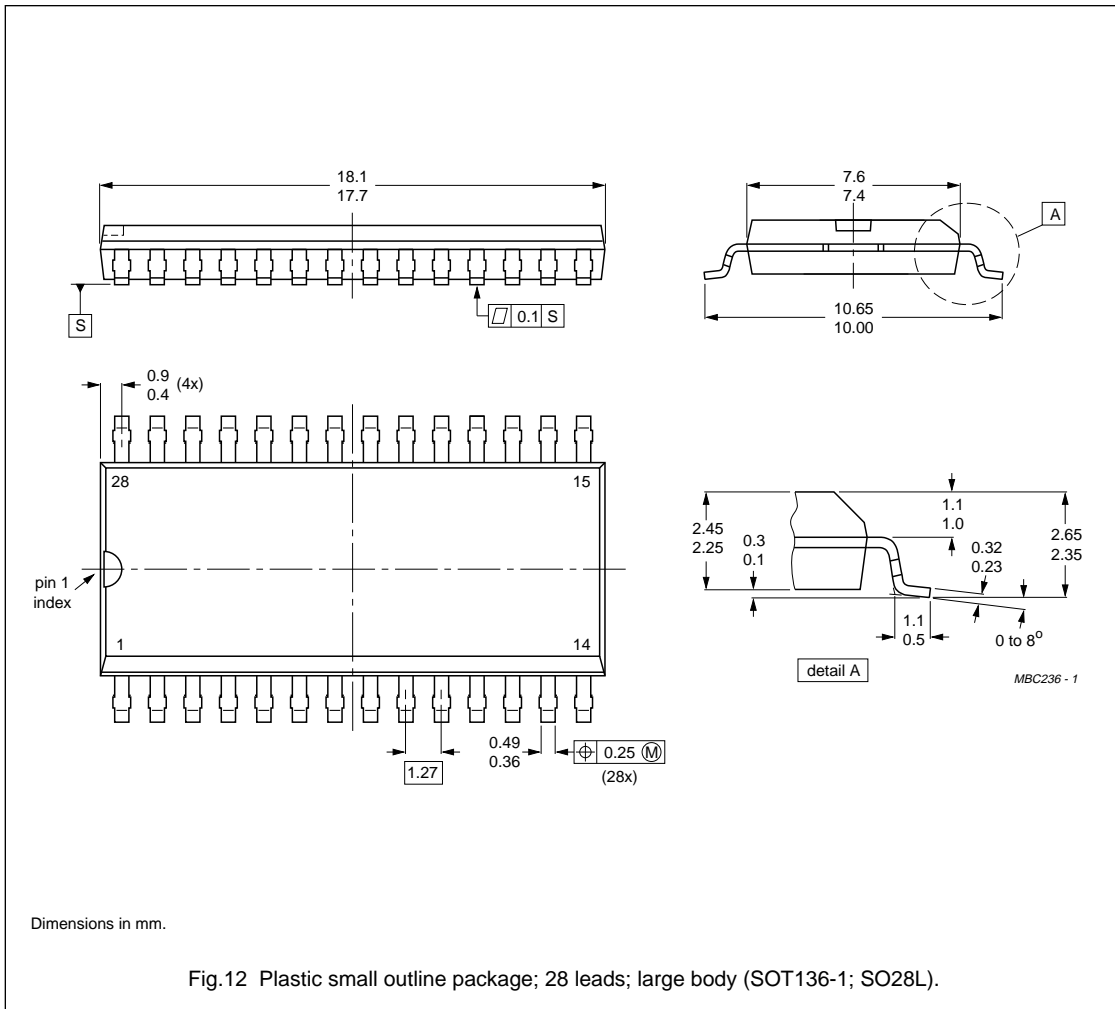
TDA5144

PACKAGE OUTLINES



Brushless DC motor drive circuit

TDA5144





## Brushless DC motor drive circuit

TDA5144

**SOLDERING****Plastic small-outline packages**

## BY WAVE

During placement and before soldering, the component must be fixed with a droplet of adhesive. After curing the adhesive, the component can be soldered. The adhesive can be applied by screen printing, pin transfer or syringe dispensing.

Maximum permissible solder temperature is 260 °C, and maximum duration of package immersion in solder bath is 10 s, if allowed to cool to less than 150 °C within 6 s. Typical dwell time is 4 s at 250 °C.

A modified wave soldering technique is recommended using two solder waves (dual-wave), in which a turbulent wave with high upward pressure is followed by a smooth laminar wave. Using a mildly-activated flux eliminates the need for removal of corrosive residues in most applications.

## BY SOLDER PASTE REFLOW

Reflow soldering requires the solder paste (a suspension of fine solder particles, flux and binding agent) to be

applied to the substrate by screen printing, stencilling or pressure-syringe dispensing before device placement.

Several techniques exist for reflowing; for example, thermal conduction by heated belt, infrared, and vapour-phase reflow. Dwell times vary between 50 and 300 s according to method. Typical reflow temperatures range from 215 to 250 °C.

Preheating is necessary to dry the paste and evaporate the binding agent. Preheating duration: 45 min at 45 °C.

**REPAIRING SOLDERED JOINTS (BY HAND-HELD SOLDERING IRON OR PULSE-HEATED SOLDER TOOL)**

Fix the component by first soldering two, diagonally opposite, end pins. Apply the heating tool to the flat part of the pin only. Contact time must be limited to 10 s at up to 300 °C. When using proper tools, all other pins can be soldered in one operation within 2 to 5 s at between 270 and 320 °C. (Pulse-heated soldering is not recommended for SO packages.)

For pulse-heated solder tool (resistance) soldering of VSO packages, solder is applied to the substrate by dipping or by an extra thick tin/lead plating before package placement.

**DEFINITIONS**

<b>Data sheet status</b>	
Objective specification	This data sheet contains target or goal specifications for product development.
Preliminary specification	This data sheet contains preliminary data; supplementary data may be published later.
Product specification	This data sheet contains final product specifications.
<b>Limiting values</b>	
Limiting values given are in accordance with the Absolute Maximum Rating System (IEC 134). Stress above one or more of the limiting values may cause permanent damage to the device. These are stress ratings only and operation of the device at these or at any other conditions above those given in the Characteristics sections of the specification is not implied. Exposure to limiting values for extended periods may affect device reliability.	
<b>Application information</b>	
Where application information is given, it is advisory and does not form part of the specification.	

**LIFE SUPPORT APPLICATIONS**

These products are not designed for use in life support appliances, devices, or systems where malfunction of these products can reasonably be expected to result in personal injury. Philips customers using or selling these products for use in such applications do so at their own risk and agree to fully indemnify Philips for any damages resulting from such improper use or sale.